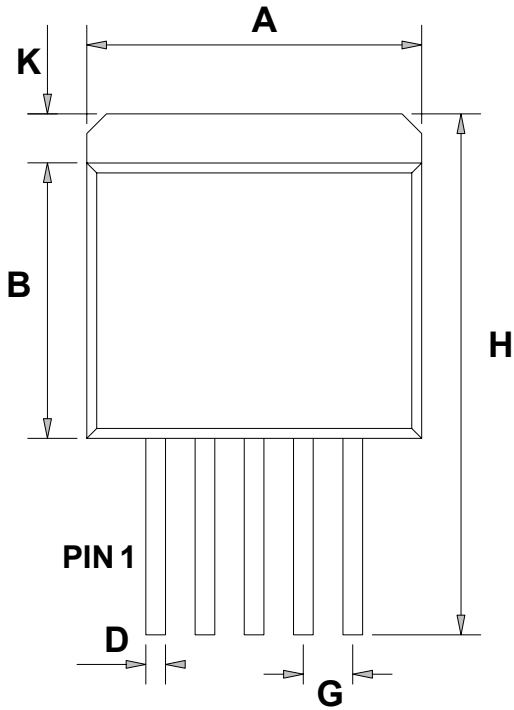


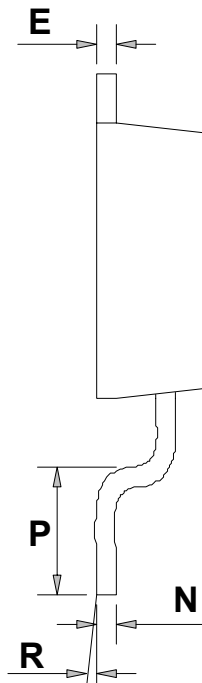


TO-263-5

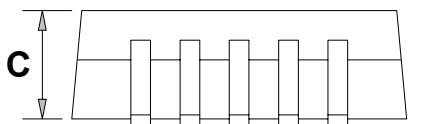
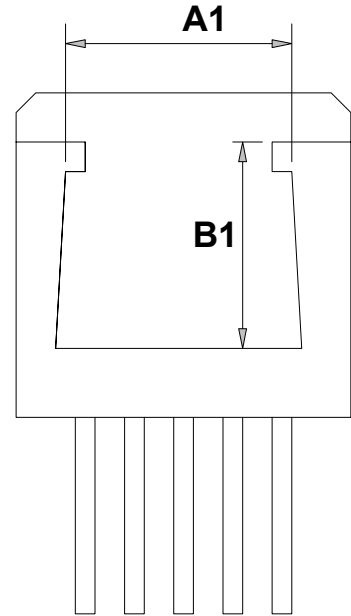
TOP VIEW



SIDE VIEW



BOTTOM VIEW



FRONT VIEW

SYMBOLS	MILLIMETERS		INCHES	
	MIN	MAX	MIN	MAX
A	9.800	10.668	0.386	0.420
B	8.200	9.169	0.323	0.361
C	4.310	4.800	0.170	0.189
D	0.660	0.910	0.026	0.036
E	1.140	1.450	0.045	0.057
G	1.70 REF		0.067 REF	
H	14.600	15.875	0.575	0.625
K	1.143	1.760	0.045	0.069
N	0.310	0.580	0.012	0.023
P	2.280	2.800	0.090	0.110
R	0'	8'	0'	8'
A1	7.50	7.70	0.295	0.303
B1	5.80	6.45	0.228	0.254